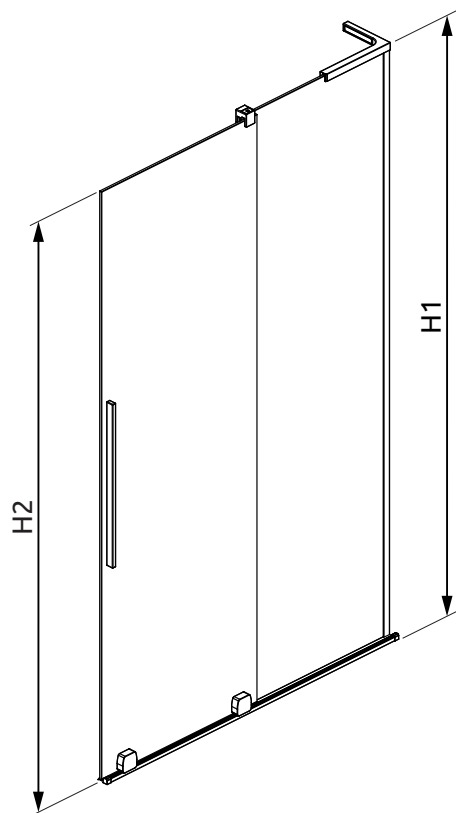
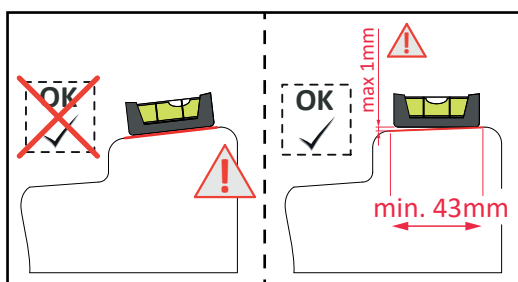
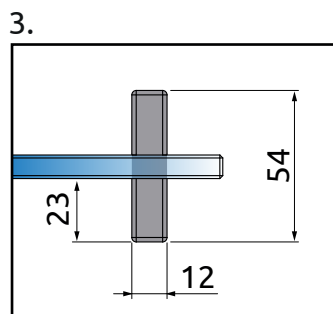


Wariant LEWY  
Variant L



Wariant PRAWY  
Variant R



Model	X	C	H1	H2
PND II 100	990-1000	553-563	1506	1500
PND II 110	1090-1100	603-613	1506	1500
PND II 120	1190-1200	653-663	1506	1500

