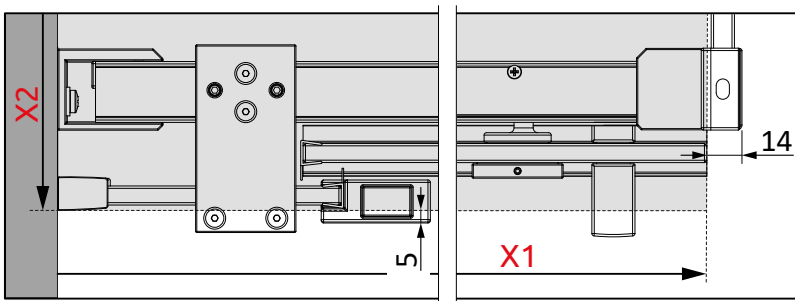
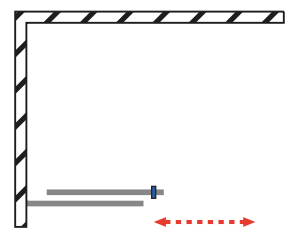
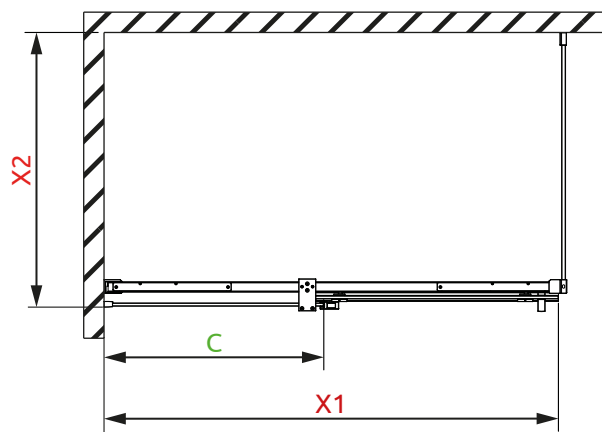


Wariant LEWY  
Variant L

Wariant PRAWY  
Variant R



Model	X1	X2	C	H1	H2
Walk-in 100	977-987	max 1200	447-457	2000	max 3200
Walk-in 110	1077-1087	max 1200	497-507	2000	max 3200
Walk-in 120	1177-1187	max 1200	547-557	2000	max 3200
Walk-in 140	1377-1387	max 1200	647-657	2000	max 3200