

## R400 SLIM PLUS



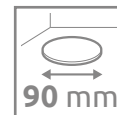
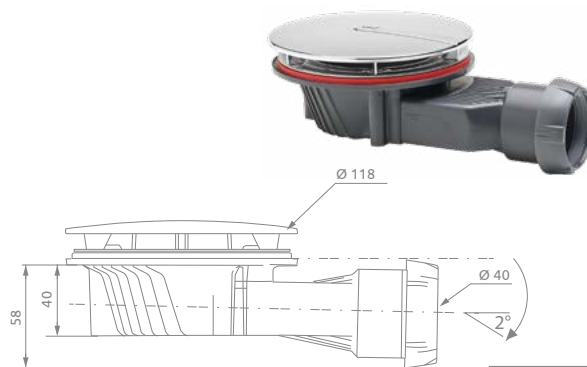
New

Siphon for shower trays with a silicone membrane impermeable to sounds and unpleasant odors even during a long break in use. Integrated seal guaranteeing 100% tightness. Easily removable waste strainer. Removable membrane enabling cleaning and access to pipes.

Hole:  $\varnothing$  90 mm  
 Cover:  $\varnothing$  118 mm  
 Outlet:  $\varnothing$  40 mm  
 Flat: 40 mm  
 Outflow: 34 l/min.

Art. No.: Chrome: **R400P**  
 Art. No.: Black: **R400PB**

Lowest,  
wet 40 mm



## R400W SLIM

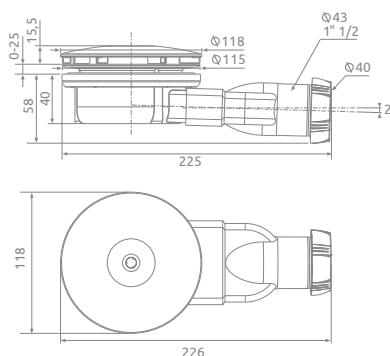


Siphon for shower trays with a chrome cover and compact dimensions.

Hole:  $\varnothing$  90 mm  
 Cover:  $\varnothing$  118 mm  
 Outlet:  $\varnothing$  40 mm  
 Flat: 40 mm  
 Outflow: 24 l/min.

Art. No.: **R400W**

Lowest,  
wet 40 mm



## 690 P

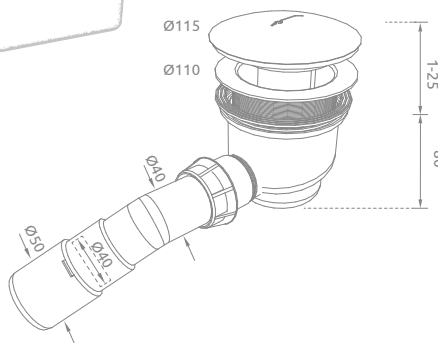


Siphon for shower trays with  $\varnothing$  90 mm hole; decorative cover in ABS chrome  $\varnothing$  115 mm; 135° connector angle; outlet  $\varnothing$  40/50 mm; flat – 80 mm.

Hole:  $\varnothing$  90 mm  
 Cover:  $\varnothing$  115 mm  
 Outlet:  $\varnothing$  40/50 mm  
 Flat: 80 mm  
 Outflow: 25 l/min.

Art. No.: **690P**

Economical



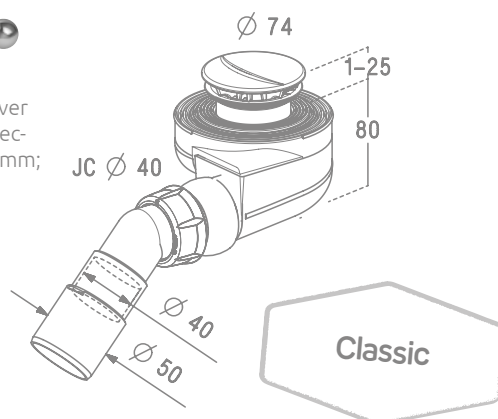
## TURBOFLOW TB50



Siphon for shower trays with  $\varnothing$  50 mm hole; very high flow rate; decorative cover in ABS chrome  $\varnothing$  74 mm; 135° multi-directional connector angle; outlet  $\varnothing$  40/50 mm; flat – 80 mm.

Hole:  $\varnothing$  50 mm  
 Cover:  $\varnothing$  74 mm  
 Outlet:  $\varnothing$  40/50 mm  
 Flat: 80 mm  
 Outflow: 30 l/min.

Art. No.: **TB50P**



Classic

