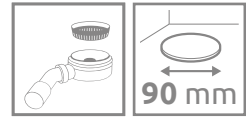
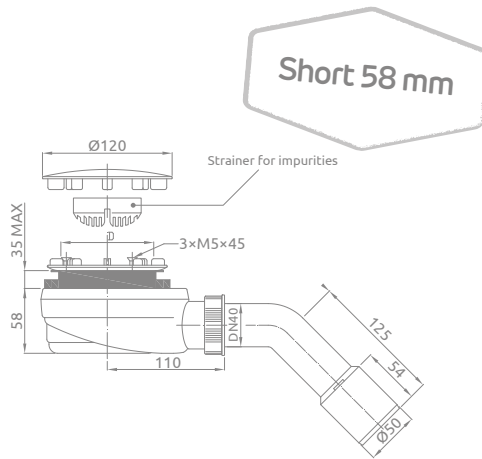


R580

Siphon for shower trays with \varnothing 90 mm hole; high flowrate; stainless steel cover; 135° connector angle. The siphon has an additional strainer that filters impurities.

Hole: \varnothing 90 mm
 Cover: \varnothing 120 mm
 Outlet: \varnothing 40/50 mm
 Flat: 58 mm
 Outflow: 40,5 l/min.

Art. No.: Stainless steel: **R580**
 Art. No.: White: **R580W**
 Art. No.: Black: **R580B**



R583

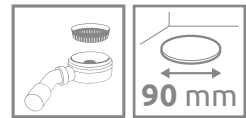
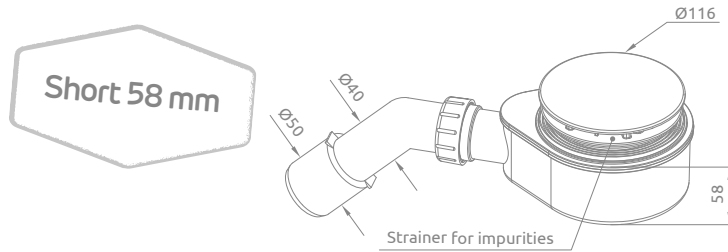


New

Siphon for shower trays with \varnothing 90 mm hole, cleaned from the top, with an increased water flow rate of 47 l/min and drain bend 135°. Outlet \varnothing 40/50 mm. Height 58 mm. The siphon has a strainer that filters impurities.

Hole: \varnothing 90 mm
 Cover: \varnothing 116 mm
 Outlet: \varnothing 40/50 mm
 Flat: 58 mm
 Outflow: 47 l/min.

Art. No.: Gold: **R583G**



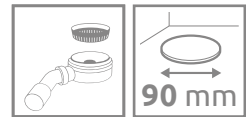
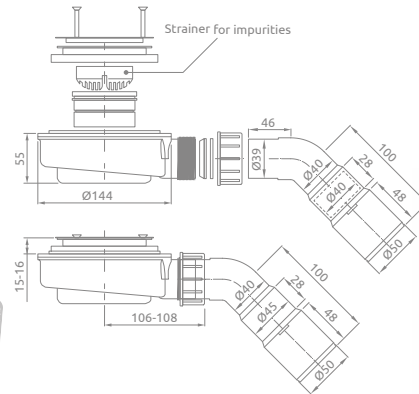
HS1

Siphon for shower trays with \varnothing 90 mm hole; high flow rate; outlet \varnothing 40 mm; flat: 55 mm. The siphon has an additional strainer that filters impurities.

Hole: \varnothing 90 mm
 Outlet: \varnothing 40/50 mm
 Flat: 55 mm
 Outflow: 42 l/min.

Art. No.: **HS1**

For Kyntos
and Teos
shower
trays



R399



Siphon for Argos shower trays, cleaned from the top with an increased water flow rate, with a chrome-plated square cover with a side length of 120 mm and a 135° outlet bend. The siphon has an additional strainer that filters impurities.

Hole: \varnothing 90 mm
 Cover: 120x120 mm
 Outlet: \varnothing 40/50 mm
 Flat: 60 mm
 Outflow: 25 l/min.

Art. No.: **R399**

For Argos
shower
trays

