



Left version

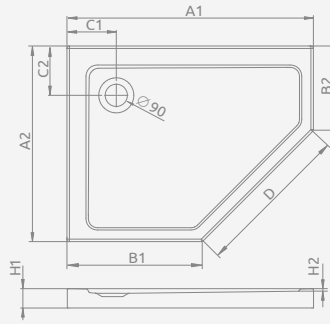


Right version

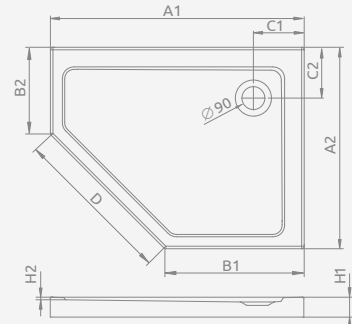
## DOROS PLUS PT E

To be installed on floor (without legs), siphon outlet  $\varnothing$  90 mm, recommended siphons TB90, TB21, TBXS, R500, R580, R583, R510, 690 P, R400 SLIM PLUS, R400W SLIM.

Left version



Right version



Model	Art. No.
DOROS PLUS PT E 100x80 L	SDRPTP1080-01L
DOROS PLUS PT E 100x80 R	SDRPTP1080-01R
DOROS PLUS PT E 100x90 L	SDRPTP1090-01L
DOROS PLUS PT E 100x90 R	SDRPTP1090-01R

DOROS PLUS PT E	A1	A2	B1	B2	C1	C2	D	H1	H2
100x80	1000	800	550	350	200	200	635	40	12
100x90	1000	900	550	450	200	200	635	40	12

## Application

