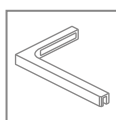
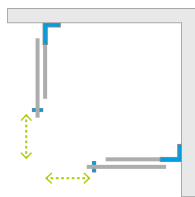


New

Furo SL KDD

The product in other colour variants can be found on p. 148



Profile finish:

Glossy:

Matte:



01 Chrome

09 Gold

54 Black

Brushed:



91 Nickel

99 Gold

92 GunMetal

93 Copper



Furo KDD + Teos C Cemento

Shower enclosure set consists of 2 parts: left and right.
Please specify both article numbers when making an order.

In the article number, the symbol "XX" should be replaced with the symbol of the selected colour:
09, 91, 92, 93, 99

LEFT PART

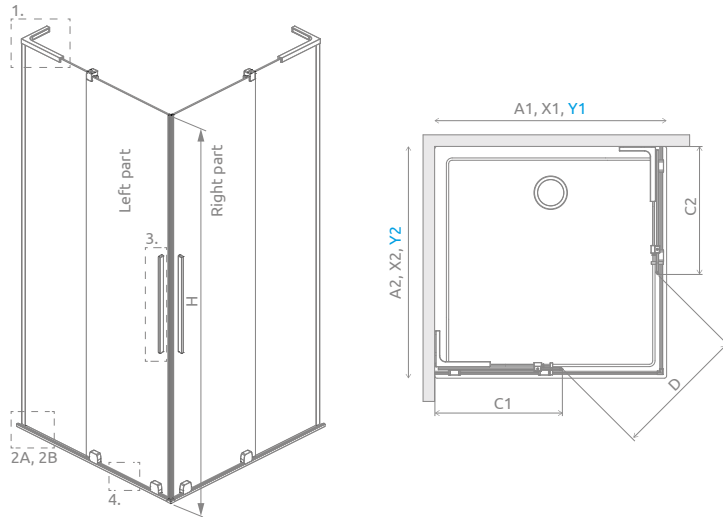
| Model | TRANSPARENT GLASS | | |
|--------------|---|--|-----------------|
| | profile finish: CHROME Art. No. | profile finish: BLACK Art. No. | Art. No. |
| SL KDD 80 L | 10305080-01-01L | 10305080-54-01L | 10305080-XX-01L |
| SL KDD 90 L | 10305090-01-01L | 10305090-54-01L | 10305090-XX-01L |
| SL KDD 100 L | 10305100-01-01L | 10305100-54-01L | 10305100-XX-01L |
| SL KDD 110 L | 10305110-01-01L | 10305110-54-01L | 10305110-XX-01L |
| SL KDD 120 L | 10305120-01-01L | 10305120-54-01L | 10305120-XX-01L |

In the article number, the symbol "XX" should be replaced with the symbol of the selected colour:
09, 91, 92, 93, 99

RIGHT PART

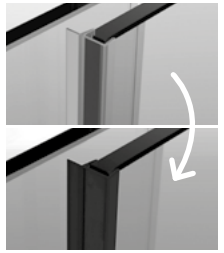
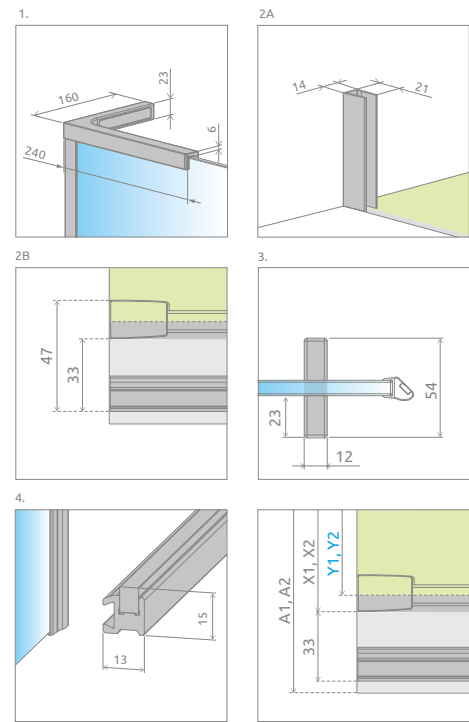
| Model | TRANSPARENT GLASS | | |
|--------------|---|--|-----------------|
| | profile finish: CHROME Art. No. | profile finish: BLACK Art. No. | Art. No. |
| SL KDD 80 R | 10305080-01-01R | 10305080-54-01R | 10305080-XX-01R |
| SL KDD 90 R | 10305090-01-01R | 10305090-54-01R | 10305090-XX-01R |
| SL KDD 100 R | 10305100-01-01R | 10305100-54-01R | 10305100-XX-01R |
| SL KDD 110 R | 10305110-01-01R | 10305110-54-01R | 10305110-XX-01R |
| SL KDD 120 R | 10305120-01-01R | 10305120-54-01R | 10305120-XX-01R |

TECHNICAL DRAWINGS



When installed on a shower tray – the minimum width of the edge of the shower tray is 43 mm, and its slope max 1 mm.

| Model | A1 | A2 | X1 | X2 | Y1 | Y2 | C1 | C2 | D | H |
|------------------|------|------|-----------|-----------|-----------|-----------|---------|---------|-----|------|
| SL KDD 80Lx80R | 800 | 800 | 750-760 | 750-760 | 744-754 | 744-754 | 454-464 | 454-464 | 435 | 2000 |
| SL KDD 80Lx90R | 800 | 900 | 750-760 | 850-860 | 744-754 | 844-854 | 454-464 | 504-514 | 472 | 2000 |
| SL KDD 80Lx100R | 800 | 1000 | 750-760 | 950-960 | 744-754 | 944-954 | 454-464 | 554-564 | 511 | 2000 |
| SL KDD 80Lx110R | 800 | 1100 | 750-760 | 1050-1060 | 744-754 | 1044-1054 | 454-464 | 604-614 | 551 | 2000 |
| SL KDD 80Lx120R | 800 | 1200 | 750-760 | 1150-1160 | 744-754 | 1144-1154 | 454-464 | 654-664 | 594 | 2000 |
| SL KDD 90Lx80R | 900 | 800 | 850-860 | 750-760 | 844-854 | 744-754 | 504-514 | 454-464 | 472 | 2000 |
| SL KDD 90Lx90R | 900 | 900 | 850-860 | 850-860 | 844-854 | 844-854 | 504-514 | 504-514 | 506 | 2000 |
| SL KDD 90Lx100R | 900 | 1000 | 850-860 | 950-960 | 844-854 | 944-954 | 504-514 | 554-564 | 542 | 2000 |
| SL KDD 90Lx110R | 900 | 1100 | 850-860 | 1050-1060 | 844-854 | 1044-1054 | 504-514 | 604-614 | 581 | 2000 |
| SL KDD 90Lx120R | 900 | 1200 | 850-860 | 1150-1160 | 844-854 | 1144-1154 | 504-514 | 654-664 | 621 | 2000 |
| SL KDD 100Lx80R | 1000 | 800 | 950-960 | 750-760 | 944-954 | 744-754 | 554-564 | 454-464 | 511 | 2000 |
| SL KDD 100Lx90R | 1000 | 900 | 950-960 | 850-860 | 944-954 | 844-854 | 554-564 | 504-514 | 542 | 2000 |
| SL KDD 100Lx100R | 1000 | 1000 | 950-960 | 950-960 | 944-954 | 944-954 | 554-564 | 554-564 | 577 | 2000 |
| SL KDD 100Lx110R | 1000 | 1100 | 950-960 | 1050-1060 | 944-954 | 1044-1054 | 554-564 | 604-614 | 613 | 2000 |
| SL KDD 100Lx120R | 1000 | 1200 | 950-960 | 1150-1160 | 944-954 | 1144-1154 | 554-564 | 654-664 | 651 | 2000 |
| SL KDD 110Lx80R | 1100 | 800 | 1050-1060 | 750-760 | 1044-1054 | 744-754 | 604-614 | 454-464 | 551 | 2000 |
| SL KDD 110Lx90R | 1100 | 900 | 1050-1060 | 850-860 | 1044-1054 | 844-854 | 604-614 | 504-514 | 581 | 2000 |
| SL KDD 110Lx100R | 1100 | 1000 | 1050-1060 | 950-960 | 1044-1054 | 944-954 | 604-614 | 554-564 | 613 | 2000 |
| SL KDD 110Lx110R | 1100 | 1100 | 1050-1060 | 1050-1060 | 1044-1054 | 1044-1054 | 604-614 | 604-614 | 647 | 2000 |
| SL KDD 110Lx120R | 1100 | 1200 | 1050-1060 | 1150-1160 | 1044-1054 | 1144-1154 | 604-614 | 654-664 | 684 | 2000 |
| SL KDD 120Lx80R | 1200 | 800 | 1150-1160 | 750-760 | 1144-1154 | 744-754 | 654-664 | 454-464 | 594 | 2000 |
| SL KDD 120Lx90R | 1200 | 900 | 1150-1160 | 850-860 | 1144-1154 | 844-854 | 654-664 | 504-514 | 621 | 2000 |
| SL KDD 120Lx100R | 1200 | 1000 | 1150-1160 | 950-960 | 1144-1154 | 944-954 | 654-664 | 554-564 | 651 | 2000 |
| SL KDD 120Lx110R | 1200 | 1100 | 1150-1160 | 1050-1060 | 1144-1154 | 1044-1054 | 654-664 | 604-614 | 684 | 2000 |
| SL KDD 120Lx120R | 1200 | 1200 | 1150-1160 | 1150-1160 | 1144-1154 | 1144-1154 | 654-664 | 654-664 | 718 | 2000 |



There is a possibility of a paid replacement of transparent gaskets for black gaskets:
 – option no.1 – only magnetic gaskets,
 – option no. 2 – all gaskets (magnetic, vertical and horizontal).
 The selected option must be clearly stated in the order.

It is possible to make the product with a railing handle ¹⁾ which also functions as a towel hanger.



It is possible to extend the entrance by 43 mm by replacing the vertical handle with a round one ²⁾. Please contact the Department of Non-standard Shower Enclosures



Possibility of replacing the standard handle with a 35x120 mm hole cut in the glass pane.

ADDITIONAL OPTIONS

| | | | | | | |
|-------------------------|-------------------------|--------------------------------------|--|--------------------------|---|--|
| | | | | | | |
| MADE TO MEASURE p. 6 | GLASS VARIANTS p. 11 | PRINT/ENGRAVING ON GLASS p. 26/30 | REPLACEMENT OF MAGNETIC GASKETS p. 17 | WIDER ENTRANCE p. 130 | EXCHANGE OF HANDLE FOR A HOLE CUT IN GLASS p. 15 | REPLACING THE HANDLE FOR A RAILING HANDLE p. 16 |

NAVIGATION



¹⁾ only chrome, gold and black colour ²⁾ only chrome and black colour
 Dimensions are given in mm.

