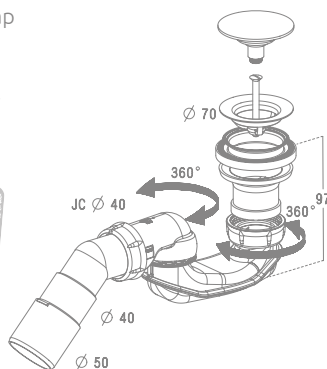


578 P

Pop-up siphon („click-clack” type) with self-cleaning trap for shower trays with \varnothing 50 mm hole; plug and waste in brass chrome finish, plug diameter – 70 mm; 135° multi-directional connector angle; outlet \varnothing 40/50 mm.

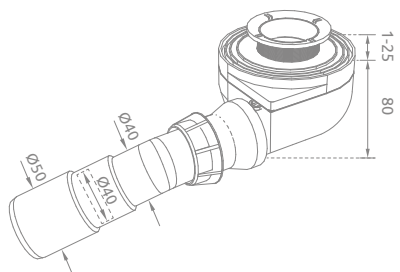
Hole: \varnothing 50 mm
Cover: \varnothing 70 mm
Outlet: \varnothing 40/50 mm
Flat: 97 mm
Outflow: 40 l/min.
Art. No.: 578P



5SL1

Siphon for shower trays Giaros with \varnothing 50 mm hole; very high flow rate; 135° multi-directional connector angle; outlet \varnothing 40/50 mm; flat – 80 mm.

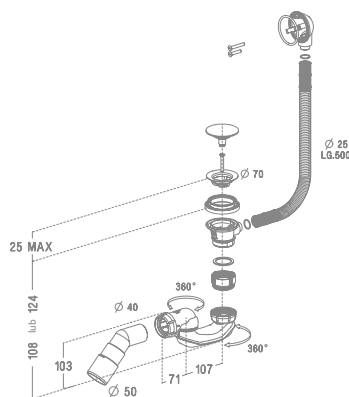
Hole: \varnothing 50 mm
Outlet: \varnothing 40/50 mm
Flat: 80 mm
Outflow: 30 l/min.
Art. No.: 5SL1



B602R

Pop-up siphon („click-clack” type) with overflow and self-cleaning trap for deep shower trays and bathtubs with \varnothing 50 mm hole; plug and waste in brass chrome finish, plug diameter – 70 mm; 135° multi-directional connector angle; overflow length – 500 mm; overflow tube connected without screwing; outlet \varnothing 40/50 mm.

Hole: \varnothing 50 mm
Cover: \varnothing 70 mm
Outlet: \varnothing 40/50 mm
Rurka: 500 mm
Flat: 108 lub 124 mm
Outflow: 54 l/min.
Art. No.: B602R



R135L

Click-clack siphon with overflow. Waste is made from brass in chrome finish. Plug diameter – 70 mm. Outlet – 40/50 mm. For deep shower trays with \varnothing 50 hole. A

Hole: \varnothing 50 mm
Cover: \varnothing 70 mm
Outlet: \varnothing 40/50 mm
Art. No.: R135L

