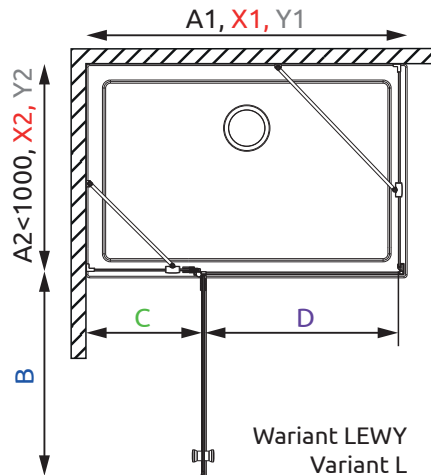


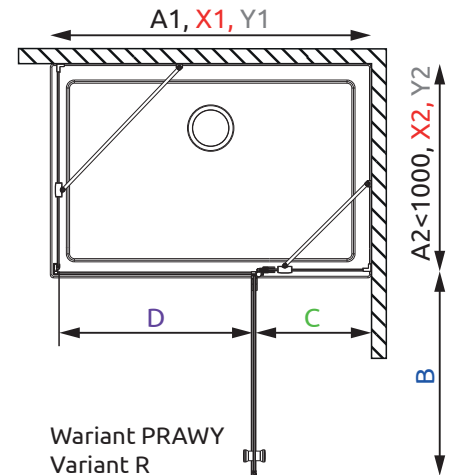
Wariant LEWY
Variant L

Wariant PRAWY
Variant R

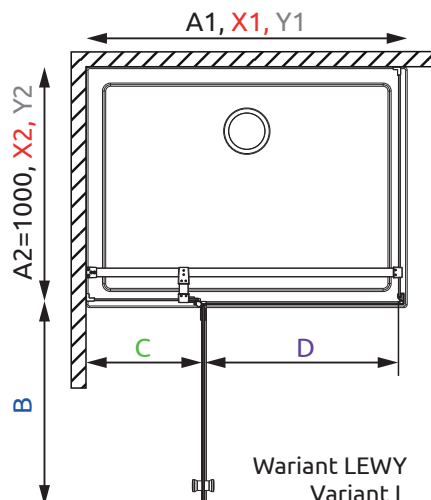
| Model | A1 | A2 | X1 | X2 | Y1 | Y2 | B | C | D | H |
|-------------------|------|------|---------|---------|---------|---------|-----|---------|-----|------|
| <i>KDJ 80x80</i> | 800 | 800 | 775-790 | 775-790 | 770-785 | 770-785 | 537 | 256-271 | 505 | 1950 |
| <i>KDJ 80x100</i> | 800 | 1000 | 775-790 | 975-990 | 770-785 | 970-985 | 537 | 256-271 | 505 | 1950 |
| <i>KDJ 90x80</i> | 900 | 800 | 875-890 | 775-790 | 870-885 | 770-785 | 637 | 256-271 | 605 | 1950 |
| <i>KDJ 90x90</i> | 900 | 900 | 875-890 | 875-890 | 870-885 | 870-885 | 637 | 256-271 | 605 | 1950 |
| <i>KDJ 90x100</i> | 900 | 1000 | 875-890 | 975-990 | 870-885 | 970-985 | 637 | 256-271 | 605 | 1950 |
| <i>KDJ 100x80</i> | 1000 | 800 | 975-990 | 775-790 | 970-985 | 770-785 | 637 | 356-371 | 605 | 1950 |
| <i>KDJ 100x90</i> | 1000 | 900 | 975-990 | 875-890 | 970-985 | 870-885 | 637 | 356-371 | 605 | 1950 |



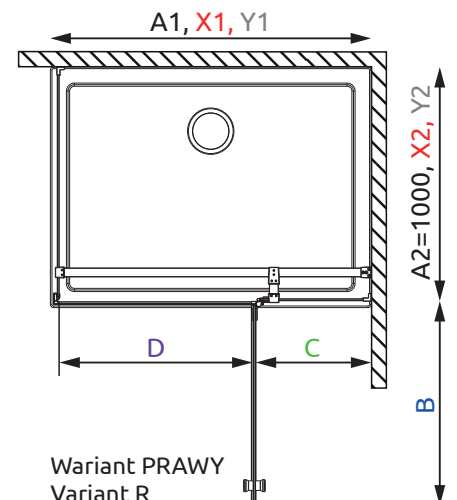
Wariant LEWY
Variant L



Wariant PRAWY
Variant R



Wariant LEWY
Variant L



Wariant PRAWY
Variant R