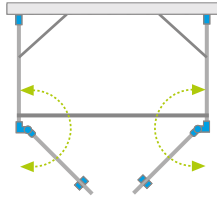


Nes 8 DWD+2S

Nes DWD+2S

The product in other colour variants can be found on p. 333



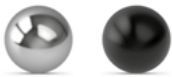
Nes 8



Nes



Profile finish:



01 Chrome 54 Black



Nes DWD+2S + Giaros D



Shower enclosure set consists of 3 parts: door and 2 sidewalls S2. Please specify all the article numbers when making an order.

DOOR

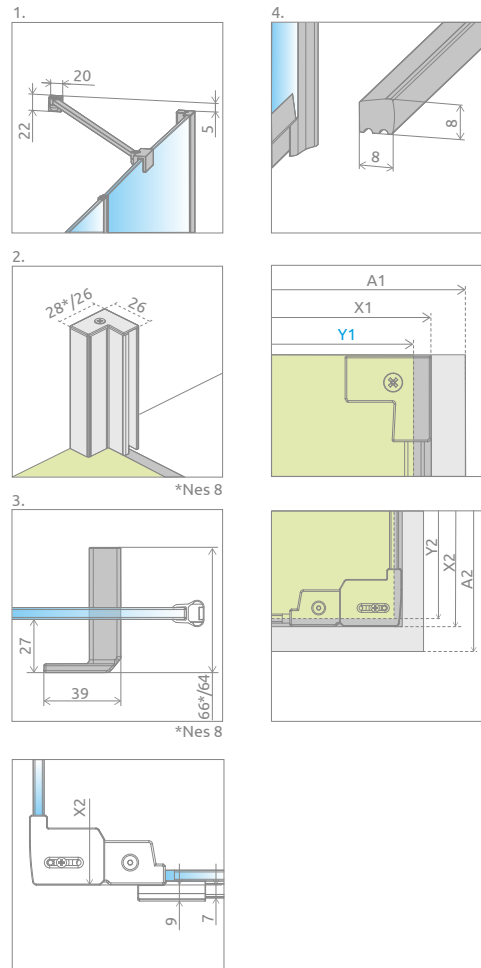
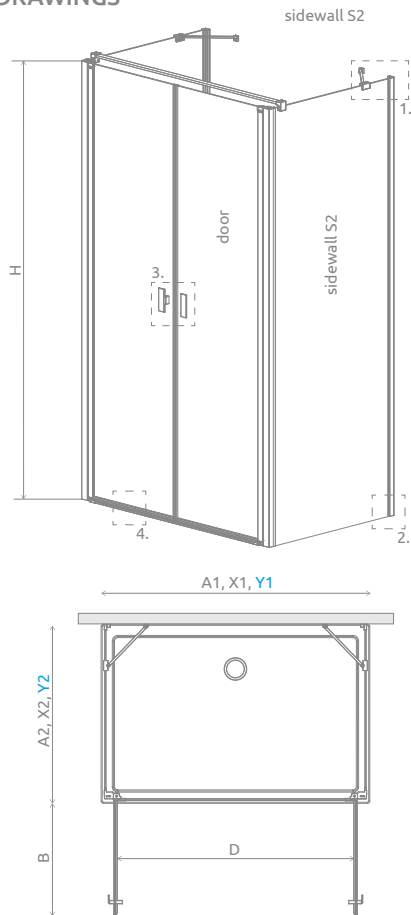
Model	Nes 8 DWD+2S transparent glass – 8 mm		Nes DWD+2S transparent glass – 6 mm	
	profile finish: CHROME Art. No.	profile finish: BLACK Art. No.	profile finish: CHROME Art. No.	profile finish: BLACK Art. No.
DWD+2S door 80	10082180-01-01	10082180-54-01	10035080-01-01	10035080-54-01
DWD+2S door 90	10082190-01-01	10082190-54-01	10035090-01-01	10035090-54-01
DWD+2S door 100	10082100-01-01	10082100-54-01	10035100-01-01	10035100-54-01
DWD+2S door 110	10082110-01-01	10082110-54-01	10035110-01-01	10035110-54-01
DWD+2S door 120	10082120-01-01	10082120-54-01	10035120-01-01	10035120-54-01

SIDEWALL S2

(the package includes 1 sidewall, remember to order 2 sidewalls when making an order)

Model	Nes 8 DWD+2S transparent glass – 8 mm		Nes DWD+2S transparent glass – 6 mm	
	profile finish: CHROME Art. No.	profile finish: BLACK Art. No.	profile finish: CHROME Art. No.	profile finish: BLACK Art. No.
S2 70	10080070-01-01	10080070-54-01	10040070-01-01	10040070-54-01
S2 75	10080075-01-01	10080075-54-01	10040075-01-01	10040075-54-01
S2 80	10080080-01-01	10080080-54-01	10040080-01-01	10040080-54-01
S2 90	10080090-01-01	10080090-54-01	10040090-01-01	10040090-54-01
S2 100	10080100-01-01	10080100-54-01	10040100-01-01	10040100-54-01

TECHNICAL DRAWINGS



Door	A1	X1	Y1	B	D	H
DWD+2S door 80	800	775	765	320	640	2000
DWD+2S door 90	900	875	865	370	740	2000
DWD+2S door 100	1000	975	965	420	840	2000
DWD+2S door 110	1100	1075	1065	470	940	2000
DWD+2S door 120	1200	1175	1165	520	1040	2000

Sidewall S2	A2	X2	Y2
S2 70	700	675-690	670-685
S2 75	750	725-740	720-735
S2 80	800	775-790	770-785
S2 90	900	875-890	870-885
S2100	1000	975-990	970-985



There is a possibility of a paid replacement of transparent gaskets for black gaskets:
 - option no.1 - only magnetic gaskets,
 - option no. 2 - all gaskets (magnetic, vertical and horizontal).
 The selected option must be clearly stated in the order.

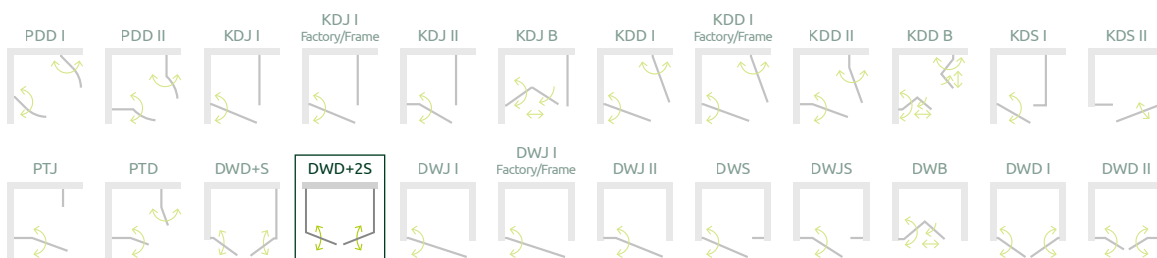
ADDITIONAL OPTIONS

MADE TO MEASURE p. 6	GLASS VARIANTS p. 11	PRINT/ENGRAVING ON GLASS p. 26/30	EXTENSION PROFILES p. 21	HANDLE EXCHANGE OPTION p. 16	TOWEL HANGER p. 14	MAXIMUM HEIGHT p. 17

Extension profiles	profile finish: CHROME Art. No.	profile finish: BLACK Art. No.
	P01-276200001	P01-276200054
	P01-280200001	P01-280200054

* possibility of connecting extension profiles

NAVIGATION



Dimensions are given in mm.