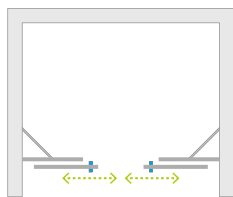


Furo DWD



The product in other colour variants can be found on p. 152



Profile finish:

Glossy:

Matte:



01 Chrome

09 Gold

54 Black

Brushed:



91 Nickel

99 Gold

92 GunMetal

93 Copper



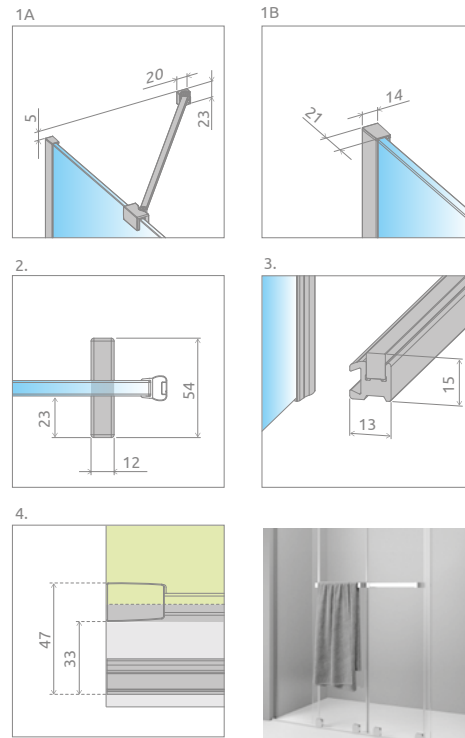
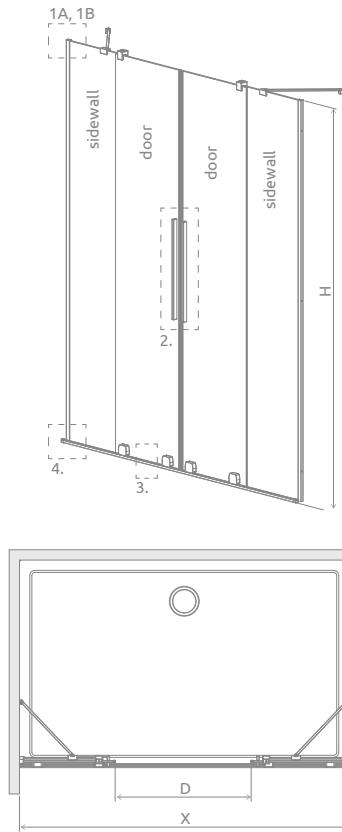
Furo DWD + shower board

Shower enclosure set consists of 2 parts: set of doors and set of front walls.
Please specify both article numbers when making an order.

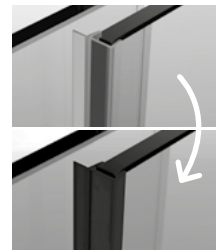
In the article number, the symbol "XX" should be replaced with the symbol of the selected colour:
09, 91, 92, 93, 99

Model	Element	TRANSPARENT GLASS		
		profile finish: CHROME Art. No.	profile finish: BLACK Art. No.	Art. No.
DWD 130	DWD door 363	10108363-01-01	10108363-54-01	10108363-XX-01
	Walls 317	10111317-01-01	10111317-01-01	10111317-01-01
DWD 140	DWD door 388	10108388-01-01	10108388-54-01	10108388-XX-01
	Walls 342	10111342-01-01	10111342-01-01	10111342-01-01
DWD 150	DWD door 413	10108413-01-01	10108413-54-01	10108413-XX-01
	Walls 367	10111367-01-01	10111367-01-01	10111367-01-01
DWD 160	DWD door 438	10108438-01-01	10108438-54-01	10108438-XX-01
	Walls 392	10111392-01-01	10111392-01-01	10111392-01-01
DWD 180	DWD door 488	10108488-01-01	10108488-54-01	10108488-XX-01
	Walls 442	10111442-01-01	10111442-01-01	10111442-01-01
DWD 200	DWD door 538	10108538-01-01	10108538-54-01	10108538-XX-01
	Walls 492	10111492-01-01	10111492-01-01	10111492-01-01

TECHNICAL DRAWINGS



It is possible to make the product with a railing handle ¹⁾ which also functions as a towel hanger.



There is a possibility of a paid replacement of transparent gaskets for black gaskets:
 – option no.1 – only magnetic gaskets,
 – option no. 2 – all gaskets (magnetic, vertical and horizontal).
 The selected option must be clearly stated in the order.



It is possible to extend the entrance by 60 mm by replacing the vertical handle with a round one ²⁾. Please contact the Department of Non-standard Shower Enclosures

When installed on a shower tray – the minimum width of the edge of the shower tray is 43 mm, and its slope max 1 mm.

Model	X	D	H
DWD 130	1290-1310	518	2000
DWD 140	1390-1410	568	2000
DWD 150	1490-1510	618	2000
DWD 160	1590-1610	668	2000
DWD 180	1790-1810	768	2000
DWD 200	1990-2010	868	2000

ADDITIONAL OPTIONS

MADE TO MEASURE p. 6	GLASS VARIANTS p. 11	PRINT/ENGRAVING ON GLASS p. 26/30	REPLACEMENT OF MAGNETIC GASKETS p. 17	WIDER ENTRANCE p. 130	EXCHANGE OF HANDLE FOR A HOLE CUT IN GLASS p. 15	REPLACING THE HANDLE FOR A RAILING HANDLE p. 16	ANGLE L-STABILIZER p. 13

NAVIGATION



Possibility of replacing the standard handle with a 35x120 mm hole cut in the glass pane.

¹⁾ only chrome, gold and black colour ²⁾ only chrome and black colour
 Dimensions are given in mm.