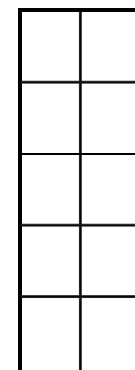
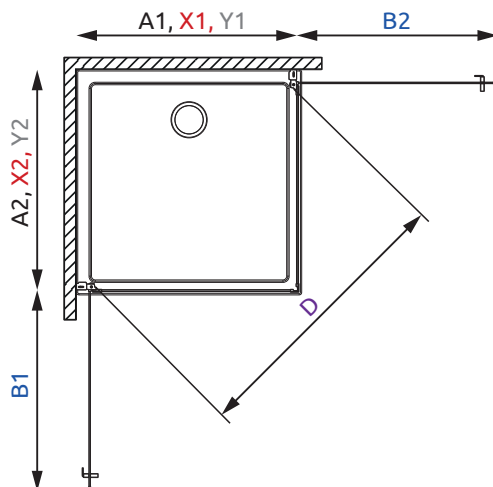
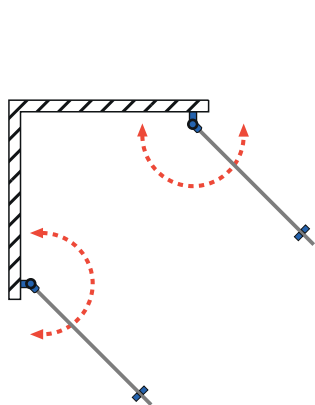
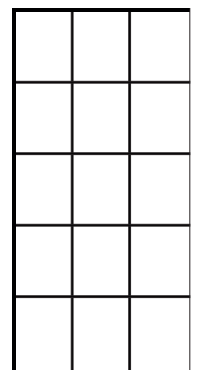


| Model | A1 | A2 | X1 | X2 | Y1 | Y2 | B1 | B2 | D | H | Wariant |
|------------------------|------|------|---------|---------|---------|---------|-----|-----|------|------|---------|
| <i>KDD I 80Lx80R</i> | 800 | 800 | 775-790 | 775-790 | 770-785 | 770-785 | 704 | 704 | 970 | 2000 | W2xW2 |
| <i>KDD I 80Lx90R</i> | 800 | 900 | 775-790 | 875-890 | 770-785 | 870-885 | 704 | 804 | 1043 | 2000 | W2xW2 |
| <i>KDD I 80Lx100R</i> | 800 | 1000 | 775-790 | 975-990 | 770-785 | 970-985 | 704 | 904 | 1120 | 2000 | W2xW3 |
| <i>KDD I 90Lx80R</i> | 900 | 800 | 875-890 | 775-790 | 870-885 | 770-785 | 804 | 704 | 1043 | 2000 | W2xW2 |
| <i>KDD I 90Lx90R</i> | 900 | 900 | 875-890 | 875-890 | 870-885 | 870-885 | 804 | 804 | 1111 | 2000 | W2xW2 |
| <i>KDD I 90Lx100R</i> | 900 | 1000 | 875-890 | 975-990 | 870-885 | 970-985 | 804 | 904 | 1184 | 2000 | W2xW3 |
| <i>KDD I 100Lx80R</i> | 1000 | 800 | 975-990 | 775-790 | 970-985 | 770-785 | 904 | 704 | 1120 | 2000 | W3xW2 |
| <i>KDD I 100Lx90R</i> | 1000 | 900 | 975-990 | 875-890 | 970-985 | 870-885 | 904 | 804 | 1184 | 2000 | W3xW2 |
| <i>KDD I 100Lx100R</i> | 1000 | 1000 | 975-990 | 975-990 | 970-985 | 970-985 | 904 | 904 | 1253 | 2000 | W3xW3 |



Wariant W2



Wariant W3