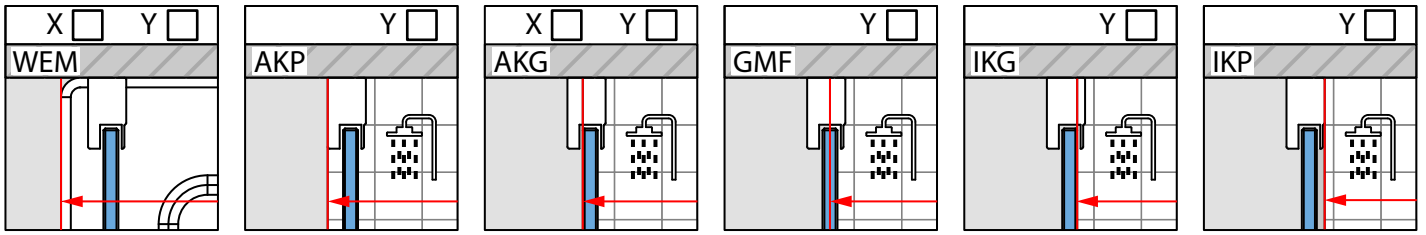


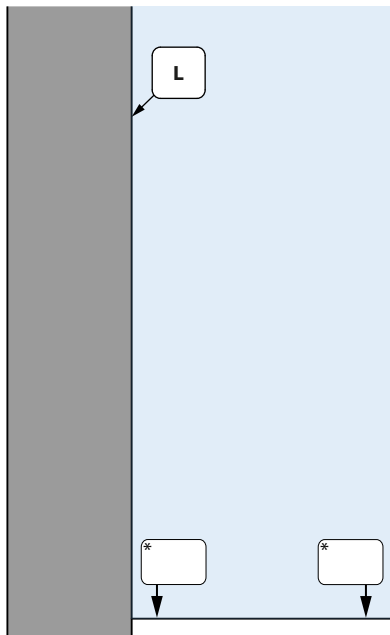
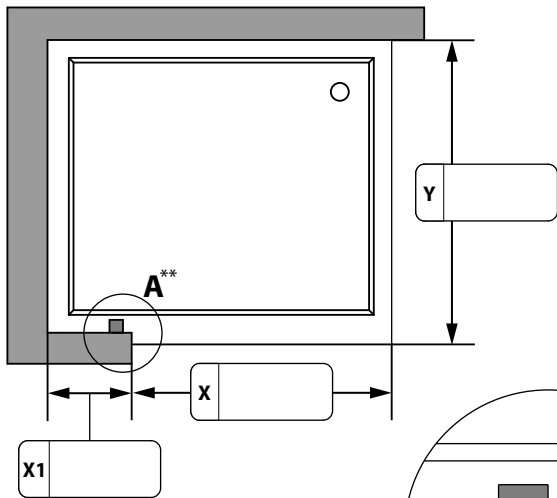
CUSTOMER DATA: \_\_\_\_\_  
 SERIES AND MODEL: \_\_\_\_\_ INSTALLER DATA: \_\_\_\_\_  
 FITTINGS COLOR: \_\_\_\_\_  
 GLASS COLOR: \_\_\_\_\_

MOUNTING PROFILE:  L  
 COMPLIES WITH SERIES AND MODELS   
 OTHER:

MEASUREMENT METHODS:



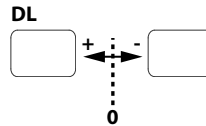
MAIN DRAWING



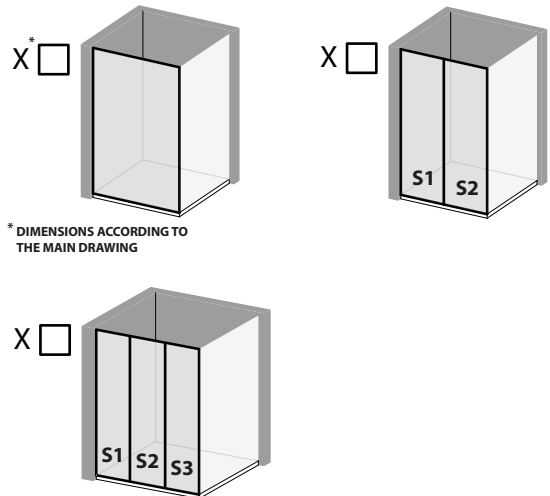
CONSTRUCTION HEIGHT AT "0" POINT:

STANDARD  OTHER: .....

MEASURE AND GIVE DEVIATIONS: (A BLANK FIELD MEANS NO DEVIATION)



CHOOSE THE VARIANT OF THE LAYOUT OF THE BUILDING WALLS FOR X:



\* DIMENSIONS ACCORDING TO THE MAIN DRAWING

GIVE DIMENSIONS AND METHOD OF INTERPRETATION:

	X
S1	
S2	
S3	

\* INDICATE "0" POINT(S) AND SEPCIFY DEVIATION(S) AS A NEGATIVE VALUE  
 POINT(S) "0" IS/ARE THE HIGHEST POINT(S) ON THE FLOOR / SHOWER TRAY / L-SHAPE WALL

\*\* TO AVOID THE RISK OF DAMAGE TO THE TILES, WE RECOMMEND REMOVING THE PROFILE FROM THE EDGE OF THE RECESS BY AT LEAST 10 MM (DIMENSION Q2).

 ATTENTION, RADAWAY, FOR TECHNOLOGICAL REASONS, RESERVES THE POSSIBILITY OF MAKING CONSTRUCTION CHANGES.

REMARKS: \_\_\_\_\_