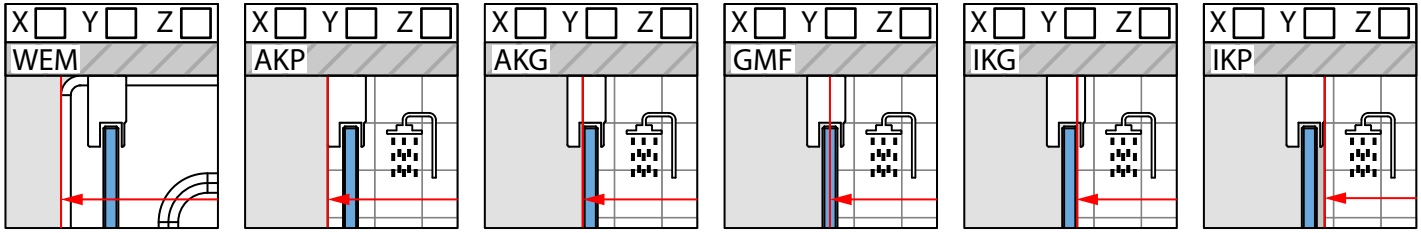


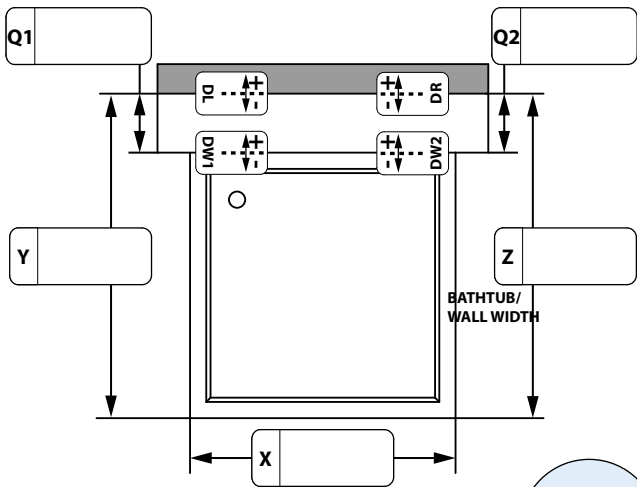
CUSTOMER DATA: _____
 SERIES AND MODEL: _____ INSTALLER DATA: _____
 FITTINGS COLOR: _____
 GLASS COLOR: _____

MOUNTING PROFILE:	Y	Z
COMPLIES WITH SERIES AND MODELS	<input type="checkbox"/>	<input type="checkbox"/>
OTHER:	<input type="checkbox"/>	<input type="checkbox"/>
OTHER:	<input type="checkbox"/>	<input type="checkbox"/>

MEASUREMENT METHODS: ENTRANCE SIDE „X” SIDE „Y” SIDE „Z”



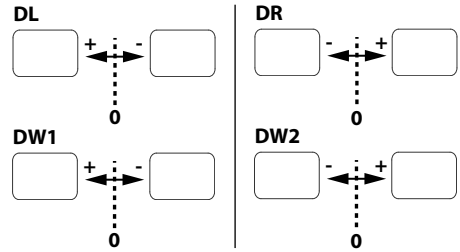
MAIN DRAWING



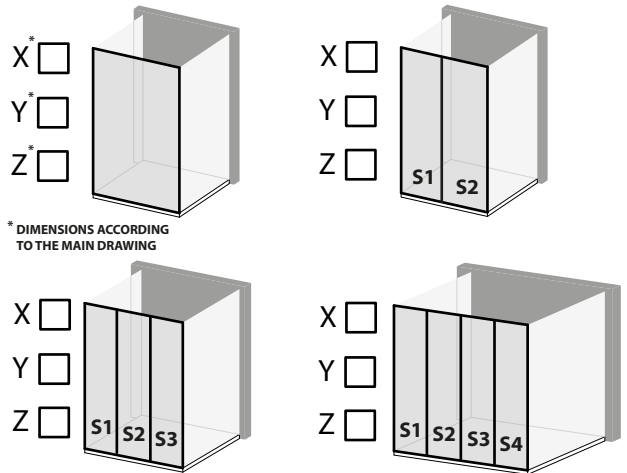
CONSTRUCTION HEIGHT AT "0" POINT:

STANDARD OTHER:

MEASURE AND GIVE DEVIATIONS (A BLANK FIELD MEANS NO DEVIATION)



CHOOSE THE VARIANT OF THE LAYOUT OF THE BUILDING WALLS FOR X AND Y:



* DIMENSIONS ACCORDING TO THE MAIN DRAWING

GIVE DIMENSIONS AND METHOD OF INTERPRETATION:

	X	Y	Z
S1			
S2			
S3			
S4			

* INDICATE "0" POINT(S) AND SPECIFY DEVIATION(S) AS A NEGATIVE VALUE
 POINT(S) "0" IS/ARE THE HIGHEST POINT(S) ON THE FLOOR / SHOWER TRAY / L-SHAPE WALL

** CHECK THE FLATNESS AND DESCRIBE ANY CURVES. STANDARD GAP IS 3 MM, CONSIDER INCREASING IT.

 ATTENTION, RADAWAY, FOR TECHNOLOGICAL REASONS, RESERVES THE POSSIBILITY OF MAKING CONSTRUCTION CHANGES.

REMARKS: _____