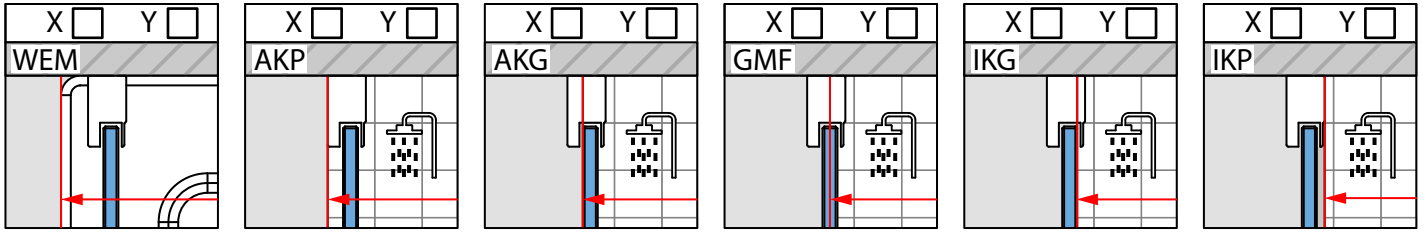


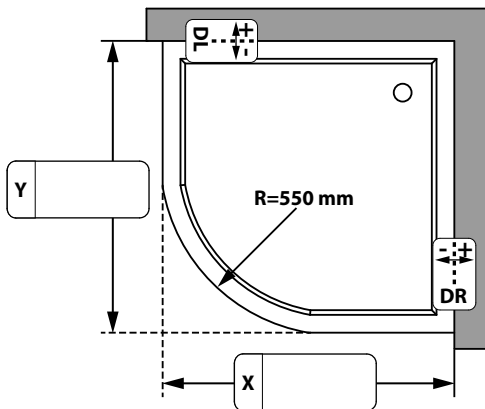
CUSTOMER DATA: \_\_\_\_\_  
 SERIES AND MODEL: \_\_\_\_\_ INSTALLER DATA: \_\_\_\_\_  
 FITTINGS COLOR: \_\_\_\_\_  
 GLASS COLOR: \_\_\_\_\_

MOUNTING PROFILE:	X	Y
COMPLIES WITH SERIES AND MODELS	<input type="checkbox"/>	<input type="checkbox"/>
OTHER:	<input type="checkbox"/>	<input type="checkbox"/>
OTHER:	<input type="checkbox"/>	<input type="checkbox"/>

MEASUREMENT METHODS: ENTRANCE  SIDE „X”  SIDE „Y”



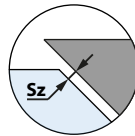
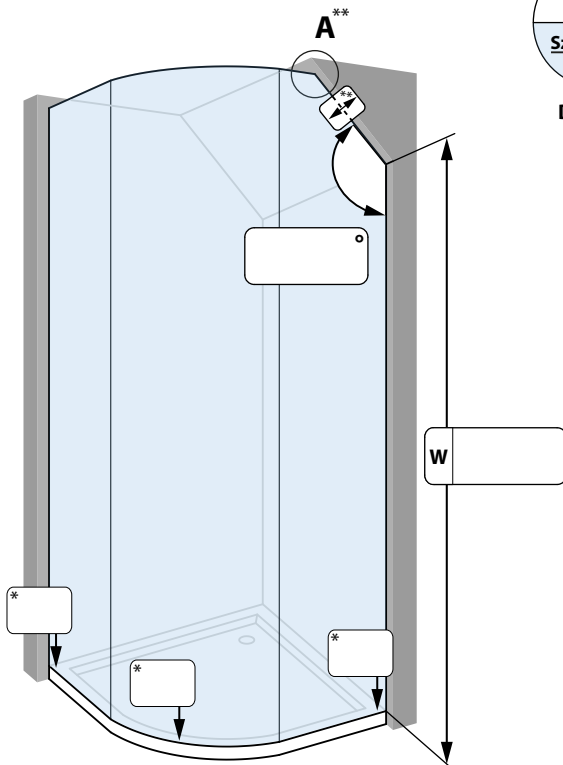
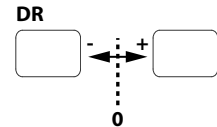
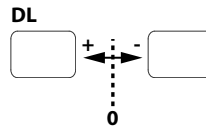
**MAIN DRAWING**



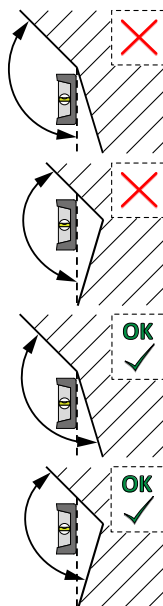
**CONSTRUCTION HEIGHT AT "0" POINT:**

STANDARD  OTHER: .....

MEASURE AND GIVE DEVIATIONS (A BLANK FIELD MEANS NO DEVIATION)



DETAIL A



\* INDICATE "0" POINT(S) AND SEPCIFY DEVIATION(S) AS A NEGATIVE VALUE POINT(S) "0" IS/ARE THE HIGHEST POINT(S) ON THE FLOOR / SHOWER TRAY / L-SHAPE WALL

\*\*\* CHECK THE FLATNESS OF THE CEILING AND DESCRIBE ANY CURVES. STANDARD IS 4 MM FOR FIXED PARTS, 10 MM FOR SINGLE DOORS, 15 MM FOR BIFOLD DOORS, CONSIDER INCREASING THE GAP.

 ATTENTION, RADAWAY, FOR TECHNOLOGICAL REASONS, RESERVES THE POSSIBILITY OF MAKING CONSTRUCTION CHANGES.

REMARKS: \_\_\_\_\_