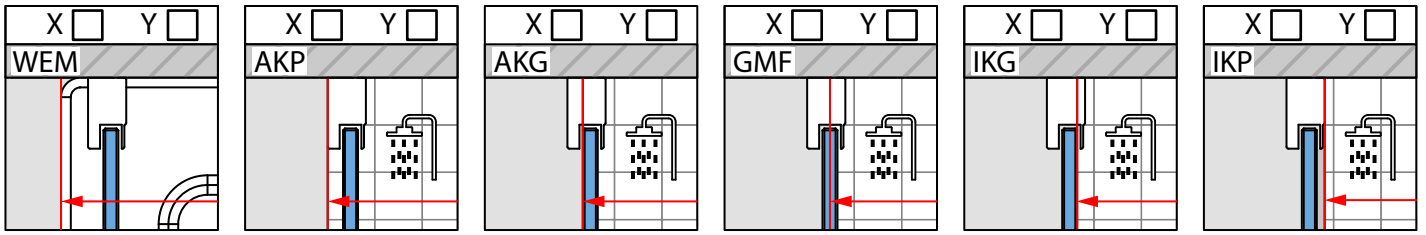


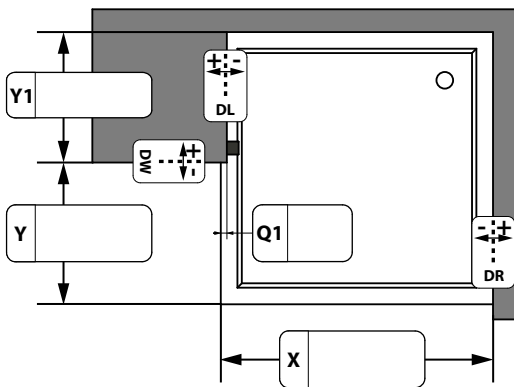
CUSTOMER DATA: _____
 SERIES AND MODEL: _____ INSTALLER DATA: _____
 FITTINGS COLOR: _____
 GLASS COLOR: _____

MOUNTING PROFILE:	<input type="checkbox"/>	<input type="checkbox"/>
COMPLIES WITH SERIES AND MODELS	<input type="checkbox"/>	<input type="checkbox"/>
OTHER:	<input type="checkbox"/>	<input type="checkbox"/>
OTHER:	<input type="checkbox"/>	<input type="checkbox"/>

MEASUREMENT METHODS: ENTRANCE: SIDE „X” SIDE „Y”



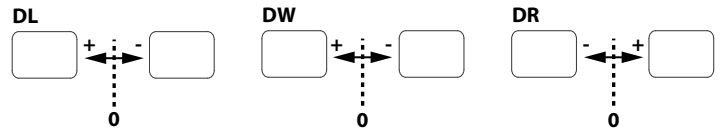
MAIN DRAWING



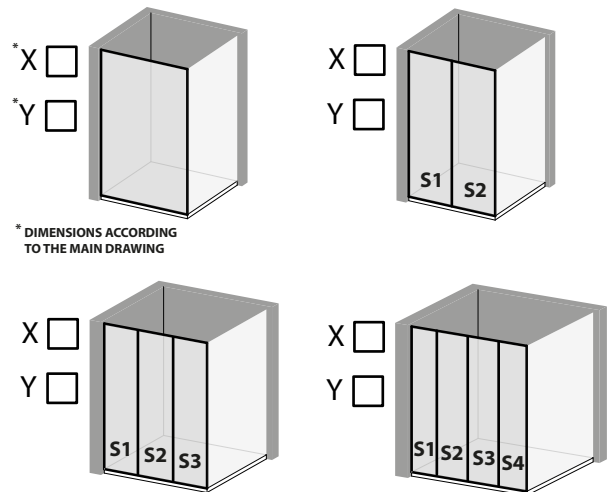
CONSTRUCTION HEIGHT AT "0" POINT:

STANDARD OTHER:

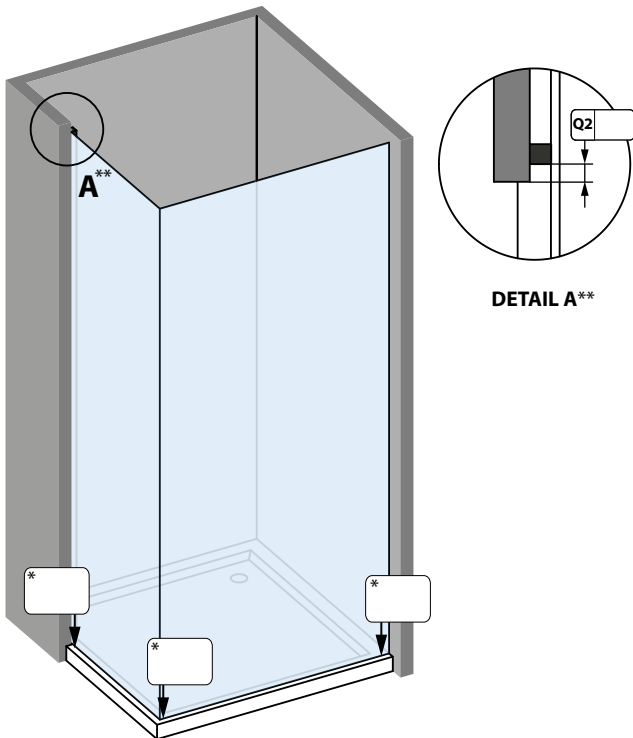
MEASURE AND GIVE DEVIATIONS (A BLANK FIELD MEANS NO DEVIATION)



CHOOSE THE VARIANT OF THE LAYOUT OF THE BUILDING WALLS FOR X AND Y:



* DIMENSIONS ACCORDING TO THE MAIN DRAWING



GIVE DIMENSIONS AND METHOD OF INTERPRETATION:

	X	Y
S1		
S2		
S3		
S4		

* INDICATE "0" POINT(S) AND SPECIFY DEVIATION(S) AS A NEGATIVE VALUE POINT(S) "0" IS/ARE THE HIGHEST POINT(S) ON THE FLOOR / SHOWER TRAY / L-SHAPE WALL

** TO AVOID THE RISK OF DAMAGE TO THE TILES, WE RECOMMEND A PROFILE OFFSET FROM THE EDGE OF THE RECESS BY AT LEAST 10 MM (DIMENSION Q2).

 ATTENTION, RADAWAY, FOR TECHNOLOGICAL REASONS, RESERVES THE POSSIBILITY OF MAKING CONSTRUCTION CHANGES.

REMARKS: _____