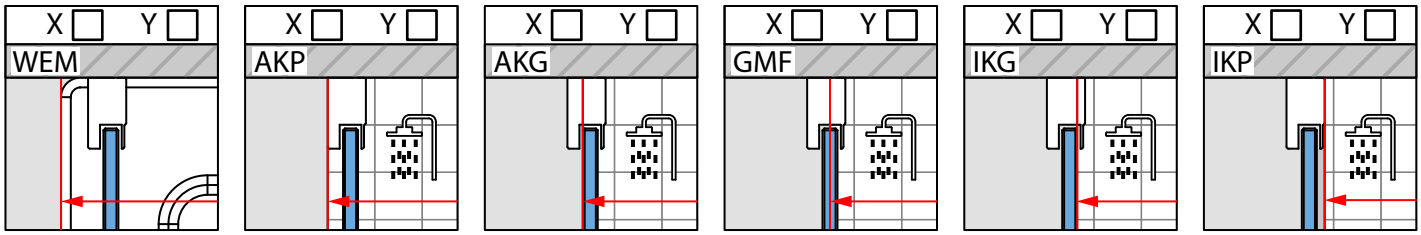


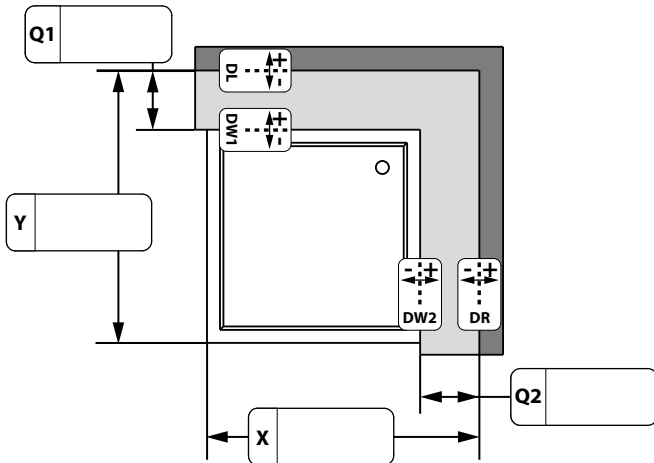
CUSTOMER DATA: \_\_\_\_\_  
 SERIES AND MODEL: \_\_\_\_\_ INSTALLER DATA: \_\_\_\_\_  
 FITTINGS COLOR: \_\_\_\_\_  
 GLASS COLOR: \_\_\_\_\_

MOUNTING PROFILE:	X	Y
COMPLIES WITH SERIES AND MODELS	<input type="checkbox"/>	<input type="checkbox"/>
OTHER:	<input type="checkbox"/>	<input type="checkbox"/>
OTHER:	<input type="checkbox"/>	<input type="checkbox"/>

MEASUREMENT METHODS: ENTRANCE:  SIDE „X”  SIDE „Y”



**MAIN DRAWING**



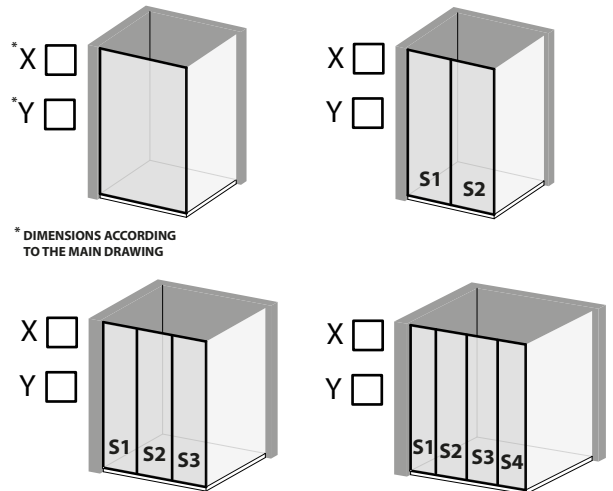
**CONSTRUCTION HEIGHT AT "0" POINT:**

STANDARD  OTHER: .....

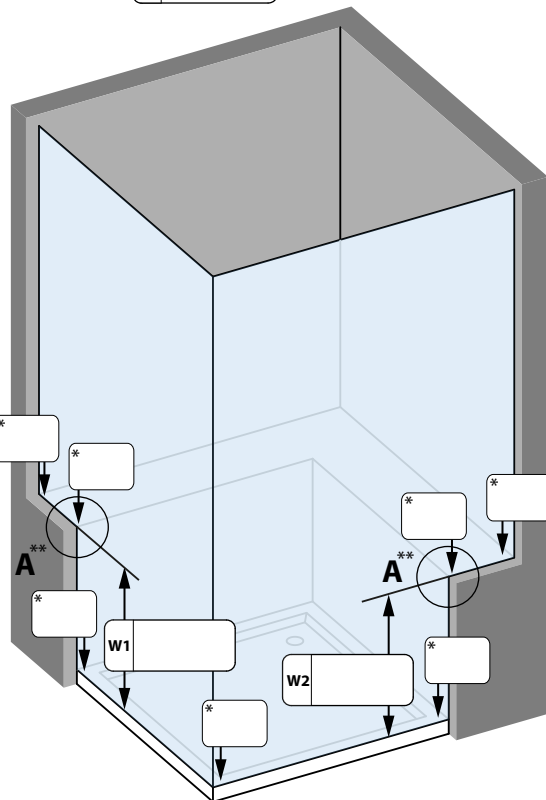
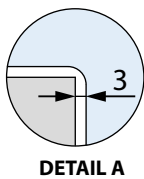
**MEASURE AND GIVE DEVIATIONS (A BLANK FIELD MEANS NO DEVIATION)**

DL	<input type="text"/> + <input type="text"/> - <input type="text"/>	DR	<input type="text"/> - <input type="text"/> + <input type="text"/>
	0		0
DW1	<input type="text"/> + <input type="text"/> - <input type="text"/>	DW2	<input type="text"/> - <input type="text"/> + <input type="text"/>
	0		0

**CHOOSE THE VARIANT OF THE LAYOUT OF THE BUILDING WALLS FOR X AND Y:**



\* DIMENSIONS ACCORDING TO THE MAIN DRAWING



**GIVE DIMENSIONS AND METHOD OF INTERPRETATION:**

	X	Y
S1		
S2		
S3		
S4		

\* INDICATE "0" POINT(S) AND SPECIFY DEVIATION(S) AS A NEGATIVE VALUE  
 POINT(S) "0" IS/ARE THE HIGHEST POINT(S) ON THE FLOOR / SHOWER TRAY / L-SHAPE WALL  
 \*\* CHECK THE FLATNESS AND DESCRIBE ANY CURVES. STANDARD GAP IS 3 MM, CONSIDER INCREASING IT.

 ATTENTION, RADAWAY, FOR TECHNOLOGICAL REASONS, RESERVES THE POSSIBILITY OF MAKING CONSTRUCTION CHANGES.

REMARKS: \_\_\_\_\_