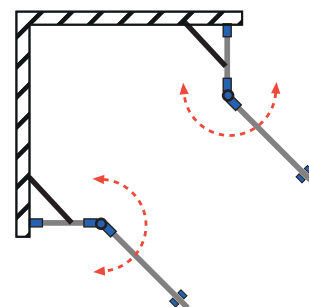
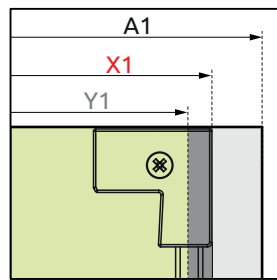
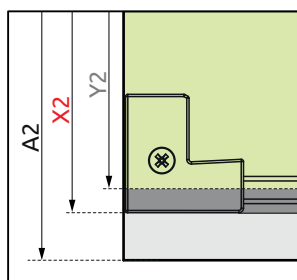
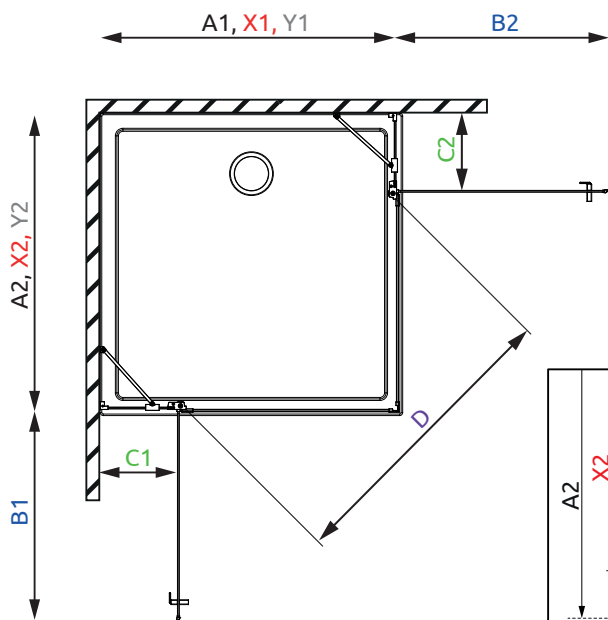
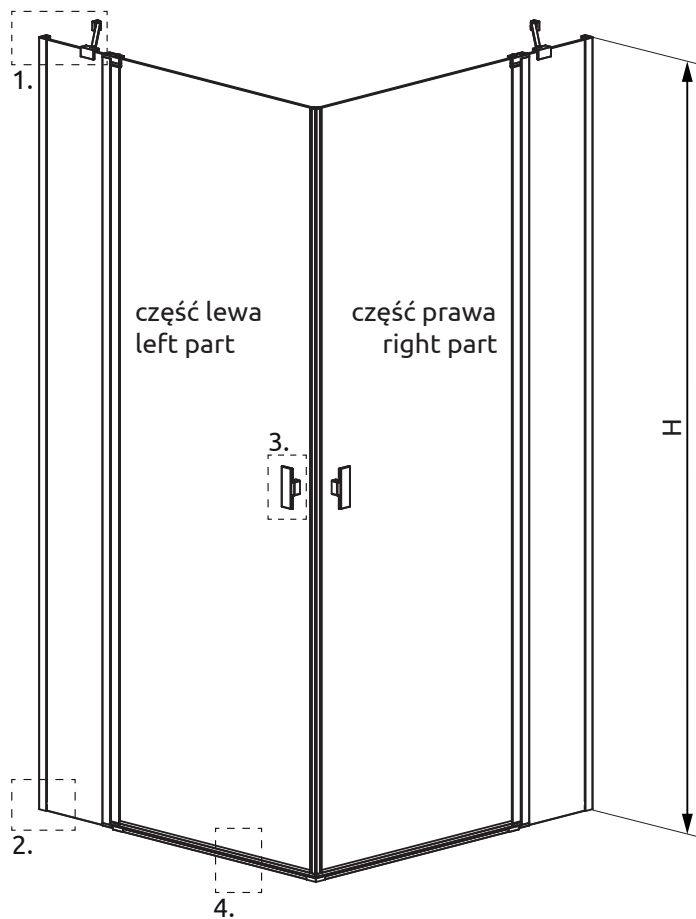
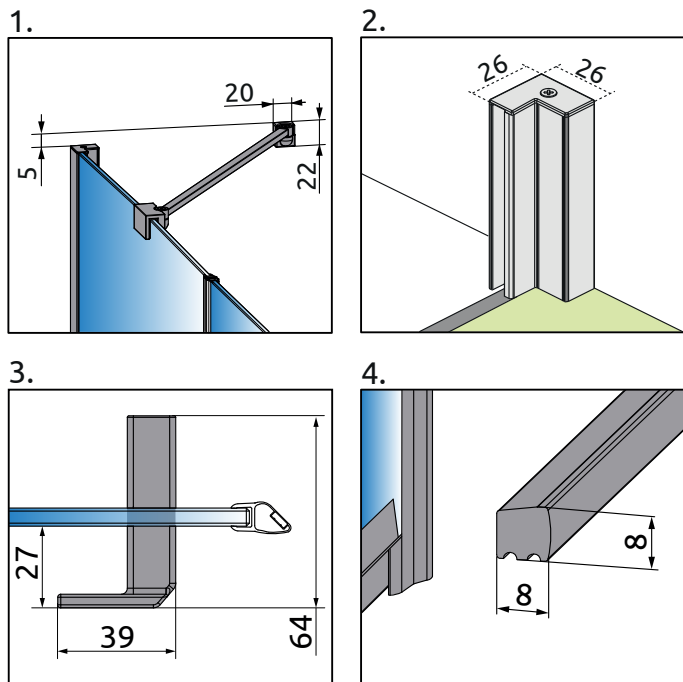


Model	A1	A2	X1	X2	Y1	Y2	B1	B2	C1	C2	D	H
KDD II 80Lx80R	800	800	775-790	775-790	769-784	769-784	499	499	252-267	252-267	676	2000
KDD II 80Lx90R	800	900	775-790	875-890	769-784	869-884	499	599	252-267	252-267	750	2000
KDD II 80Lx100R	800	1000	775-790	975-990	769-784	969-984	499	699	252-267	252-267	830	2000
KDD II 90Lx80R	900	800	875-890	775-790	869-884	769-784	599	499	252-267	252-267	750	2000
KDD II 90Lx90R	900	900	875-890	875-890	869-884	869-884	599	599	252-267	252-267	817	2000
KDD II 90Lx100R	900	1000	875-890	975-990	869-884	969-984	599	699	252-267	252-267	891	2000
KDD II 100Lx80R	1000	800	975-990	775-790	969-984	769-784	699	499	252-267	252-267	830	2000
KDD II 100Lx90R	1000	900	975-990	875-890	969-984	869-884	699	599	252-267	252-267	891	2000
KDD II 100Lx100R	1000	1000	975-990	975-990	969-984	969-984	699	699	252-267	252-267	959	2000



Model	A1	A2	X1	X2	Y1	Y2	B1	B2	C1	C2	D	H
KDD II 80Lx80R	800	800	775-790	775-790	770-785	770-785	500	500	250-265	250-265	679	2000
KDD II 80Lx90R	800	900	775-790	875-890	770-785	870-885	500	600	250-265	250-265	753	2000
KDD II 80Lx100R	800	1000	775-790	975-990	770-785	970-985	500	700	250-265	250-265	833	2000
KDD II 90Lx80R	900	800	875-890	775-790	870-885	770-785	600	500	250-265	250-265	753	2000
KDD II 90Lx90R	900	900	875-890	875-890	870-885	870-885	600	600	250-265	250-265	820	2000
KDD II 90Lx100R	900	1000	875-890	975-990	870-885	970-985	600	700	250-265	250-265	894	2000
KDD II 100Lx80R	1000	800	975-990	775-790	970-985	770-785	700	500	250-265	250-265	833	2000
KDD II 100Lx90R	1000	900	975-990	875-890	970-985	870-885	700	600	250-265	250-265	894	2000
KDD II 100Lx100R	1000	1000	975-990	975-990	970-985	970-985	700	700	250-265	250-265	962	2000