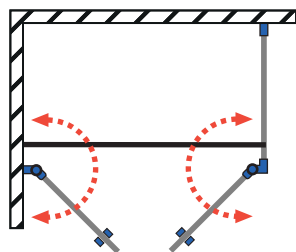


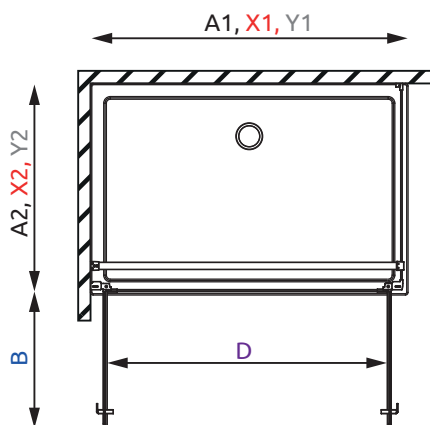
Wariant LEWY
Variant L

Wariant PRAWY
Variant R



DWD+S DRZWI / DWD+S DOORS

Model	A1	X1	Y1	B	D	H
DWD+S drzwi 80	800	775-790	770-785	320	640	2000
DWD+S drzwi 90	900	875-890	870-885	370	740	2000
DWD+S drzwi 100	1000	975-990	970-985	420	840	2000
DWD+S drzwi 110	1100	1075-1090	1070-1085	470	940	2000
DWD+S drzwi 120	1200	1175-1190	1170-1185	520	1040	2000



ŚCIANKA S2 / SIDEWALL S2

Model	A2	X2	Y2
S2 70	700	675-690	670-685
S2 75	750	725-740	720-735
S2 80	800	775-790	770-785
S2 90	900	875-890	870-885
S2 100	1000	975-990	970-985

